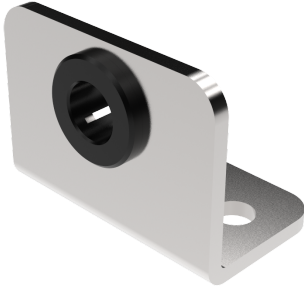


## ROD GUIDES



Rod guide supplied with polyamide bushing, for  $\varnothing 8$  or  $\varnothing 10$  mm round rods. For screw- or weld-on mounting. Polyamide bushing for low friction and silent movement of the rod.

A in the drawing is the distance between the inside face of the door and the rod.

### MATERIAL

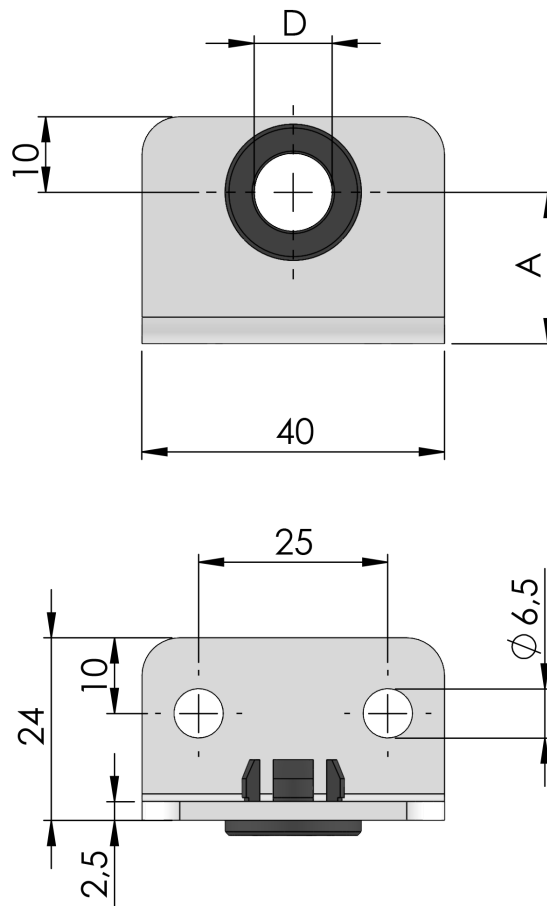
**Bushing:** Glass fibre reinforced polyamide (PA6GF30)

**Bracket:** Steel, zinc plated

### RELATED PRODUCTS

**Accessories:** 2-570

Use the Index Code at [industrilas.com](http://industrilas.com)



P/N	Description	A	D
282123	Rod guide	20	8,0
282124	Rod guide	26	8,0
282125	Rod guide	20	10,0
282126	Rod guide	24	10,0
282127-AA	Customized rod guide *	AA (min. 12 mm)	8,0
282128-AA	Customized rod guide *	AA (min. 12 mm)	10,0

\* Custom lengths and are available on request only.